



## PRECISION WASHERS

Topy produces application-specific, precision ground washers at the lowest unit cost by utilizing unique grinding methods rather than lapping. Topy has the expertise and facilities to produce Precision Washers in inches or millimeters in the following types and materials:

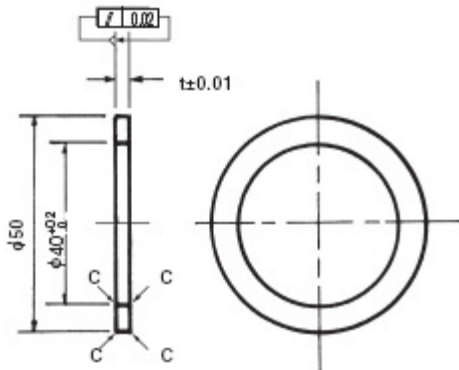
**WASHER TYPES:** Thrust Washers, Involute Washers, Spline Washers and Adjusting Shims.

**MATERIAL:** High Carbon or Stainless Steels. Chromium Molybdenum and High Carbon Chromium Bearing Steels also available.

**HEAT TREATMENT:** Austempering or Oil Quenching. Carburizing and Carbonitriding also available.

Send us your drawing or sketch for a competitive price.

### TYPICAL SPECIFICATIONS



DIMENSIONS IN MILLIMETERS

NAME	t
SHIM A, DRIVEN GEAR	1.40
SHIM B, DRIVEN GEAR	1.43
SHIM C, DRIVEN GEAR	1.46
SHIM D, DRIVEN GEAR	1.49
SHIM E, DRIVEN GEAR	1.52
SHIM F, DRIVEN GEAR	1.53
SHIM G, DRIVEN GEAR	1.56
SHIM H, DRIVEN GEAR	1.59
SHIM I, DRIVEN GEAR	1.63