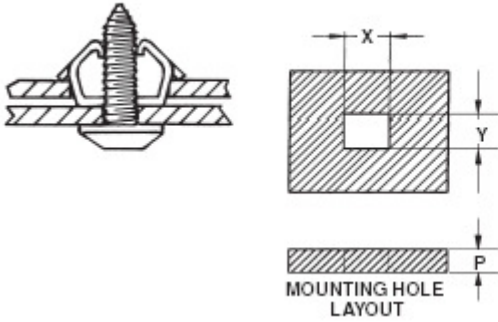


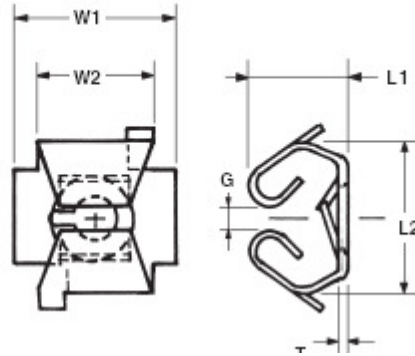


SCREW GROMMENTS

TYPICAL ASSEMBLY



STANDARD



TYPE A



NO ARMS AT SIDES

DIMENSIONS IN MILLIMETERS

DESIGN VARIATION	PANEL			T THICKNES S	W1 WIDTH	W2 WIDTH	L1 HEIGHT	L2 HEIGHT	G GAP	SCREW SIZE SIZE	PART NUMBER
	P	X	Y								
A	0.8-1.6	9.0	10.0	0.5	12.0	8.5	7.0	10.5	1.6	T4*	S41932
STD.	2.2-2.8	9.0	10.0	0.5	12.0	8.5	8.2	10.2	1.6	T4*	S41933
STD.	2.4-3.0	9.0	14.0	0.5	15.0	8.5	9.0	14.1	2.0	T5*	S21852

* DESIGNATES JIS TAPPING SCREW