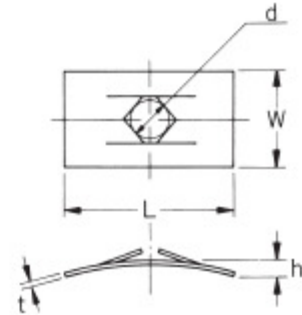
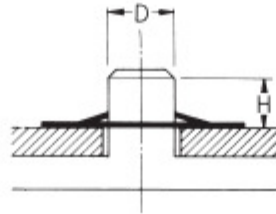




PUSH-ON TYPE NUTS - RECTANGULAR PUSH NUTS (Metric Standard)

TYPICAL ASSEMBLY



STANDARD SHAPE

RECTANGULAR PUSH NUTS

DIMENSIONS IN MILLEMETERS

D STAUD SIZE		H HEIGHT REF.	L LENGT H	W WIDTH	d HOLE SIZE		t THICKNESS	h HEIGHT REF.	MIN. PULL OFF FORCE kgt REF.	PART NUMBER
NORMAL	TOL				NORMAL	TOL				
2.0	+0.05 / -0.05	4.0	12.0	6.0	1.85	+01 / -0.1	0.40	4.0	30	PSN-2
3.0	+0.05 / -0.05	4.8	14.0	8.0	2.8	+01 / -0.2	0.40	4.8	40	PSN-3
4.0	+0.05 / -0.05	6.0	16.0	9.0	3.7	+01 / -0.1	0.40	6.0	40	PSN-4
5.0	+0.05 / -0.05	6.6	18.0	11.0	4.8	+01 / -0.2	0.40	6.6	50	PSN-5
6.0	+0.05 / -0.05	7.0	20.0	12.0	5.8	+01 / -0.1	0.40	7.0	60	PSN-6
8.0	+0.05 / -0.05	8.0	23.0	15.0	7.8	+01 / -0.2	0.50	8.0	60	PSN-8